

All stainless steel safety process gauges

Model SFS

According DIN EN 837-1

Nominal size 100 mm, 115 mm, 150 mm

Accuracy: Class 1(1%)

Features

- Solid front type construction
- Rugged stainless steel construction
- Socket and case welded
- Protection IP54, IP65 and IP66
- Usable to full scale
- Overload protection 130 %
- Dry, liquid filled
- Measuring system stainless steel or Monel

Ranges

-1 ... 0 bar up to 0 ... 1400 kg/cm²

-30 in. Hg ... 0 psi up to 0 ... 20,000 psi

Applications

Chemical, petrochemical industry, petroleum refinery

Fertilizer, thermal & nuclear power generation industry

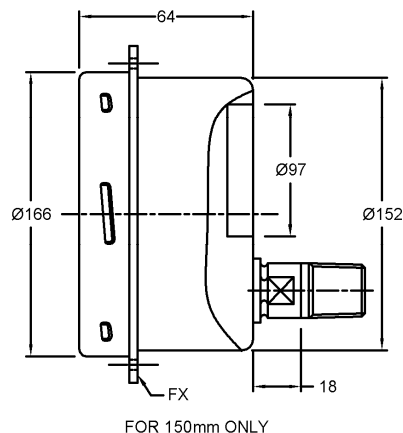
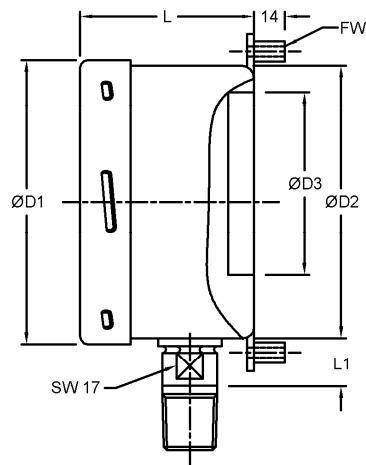
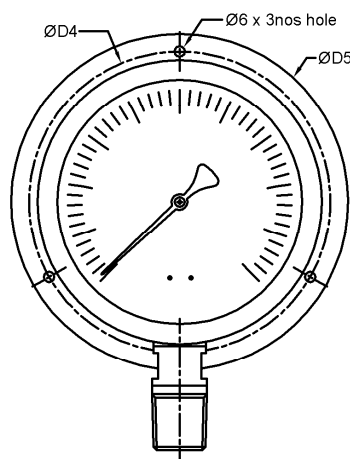
Machine and apparatus construction

Technical specification	SFS		
	100	115	150
Dial size in mm	100	115	150
Construction	Solid front safety pattern cylindrical case with blowout at the back		
Measuring principle	Bourdon tube		
Range in kg/cm ²	0.6 1 1.6 2.5 4 6 10 16 25 40 60 100 160 250 400 600 1000 1400		
Overpressure limit	-1/0 -1/0.6 -0/1.5 -1/3 -1/5 -1/9 -1/15 -1/24		
Pressure type	130 % F.S., short time.		
Process connection	Gauge, vacuum and compound		
Connection location	1/4" 3/8" 1/2" BSP / NPT (M) , M20x1.5 (M), Others on request		
Material	Lower, back(for 150 mm only)		
Pressure connection	Stainless steel 316, optional 316L, Monel		
Tube	Stainless steel 316L optional Monel		
Case/bayonet ring	Stainless steel 304 , optional 316L		
Window	laminated safety glass		
Dial	Aluminum, black markings on white background		
Pointer	Aluminum, black optional - micrometer adjustment others on request		
Movement	Stainless steel 304		
Accuracy	Class 1 (1 % F.S.), optional 0,5 % F.S.		
Permissible			
Ambient temperature	-25 ... 60 °C		
Medium temperature	Max. 200 °C (dry), max. 100 °C (for liquid filled)		
Storage temperature	-40 ... 60 °C		
Effect	Max. 0,3 % / 10 K		
Protection according	IP54/IP65/IP66		
Filling liquids	Glycerin, silicone, halocarbon, others on request		
Mounting	Standard stem, optional flush, surface		
Weight dry/filled in kg			
Accessories, options	NACE, diaphragm seals, valves, electric contacts, dampener, gauge saver, syphon etc		

All specifications are subject to change without notice.

IN.SFS Rev. E 06/04/2011

General dimensions in mm



FOR 150mm ONLY

DIAL SIZE	100	115	150
Ø D1	109	127	166
Ø D2	99	115	152
Ø D3	85	97	113
Ø D4	75	118	168
Ø D5	86	134	186
L	58	58	64
L1	13	16	16
L2	13	18	18

Order information

Size	Type	System material	Execution	Process connection	Connection orientation	Range	Engineering units	Filling/Case material	Options
(100) 100 mm	SFS	(S) Socket 316, Tube 316L	(D) IP54	(04) 1/2" NPT (M)	(L) Lower	-1/ 0	(kg/cm ²)	(=) Standard no filling	(NH) Tagging wired
(115) 115mm			(L) IP65	(03) 3/8" NPT (M)	(B) Back ²⁾	-1/ 0.6			
(150) 150mm			(L) Socket and Tube 316L	(02) 1/4" NPT (M)		-1/ 1.5			
		(L) Socket and Tube 316L		(15) 1/2" BSP (M)		-1/ 3		(GV) Silicone ¹⁾	(DA) Dial Marking
		(P) Socket and Tube Monel		(14) 3/8" BSP (M)		-1/ 5		(GR) Glycerin ¹⁾	(CS) Dual scale
				(13) 1/4" BSP (M)		-1/ 9		(GX) Halocarbon ¹⁾	(OF) Oil free
				(16) M20x1.5 (M)		-1/ 15		(YW) Case material 316L (1.4404)	(MP) Micrometer pointer
				Others on request		-1/ 24		(EC) Contact type and function (see EC.1) ¹⁾	(FX) Front panel
						0/ 0.6			(FW) Surface plate
						0/ 1			(TU) Throttle screw
						0/ 1.6			(AJ) Calibration 0.5 % F.S. ²⁾
						0/ 2.5			(PR) Receiver gauge
						0/ 4			Others on request
						0/ 6			
						0/ 10			
						0/ 16			
						0/ 25			
						0/ 40			
						0/ 60			
						0/ 100			
						0/ 160			
						0/ 250			
						0/ 400			
						0/ 600			
						0/ 1000			
						0/ 1400			
							psi & others on request		

1) Not for range 0.6 kg/cm² 2) For size 150mm and range up to 0/700 kg/cm² only

How to order

Size	Type	System material	Execution	Process connection	Connection orientation	Range	Engineering unit	Filling/Case material	Option
100	SFS	S	L	04	L	0/16	KG/CM2	=	NH

Ashcroft India Pvt. Ltd.

Plot No.: 2306, G.I.D.C. Chhatral, Ta: Kalol, Dist.: Gandhinagar,
 CHHATRAL 382 729, Gujarat, INDIA.
 Telephone: +91 (0) 2764 233681/82/83 Fax: +91-2764-233440
 Email: sales@ashcroftindia.com www.ashcroftindia.com

- North Zone : sales.delhi@ashcroftindia.com
- East zone : sales.kolkata@ashcroftindia.com
- West zone : sales.mumbai@ashcroftindia.com
- South zone : sales.chennai@ashcroftindia.com